

# BMW Group

## VIA ELECTRONIC SUBMISSION

March 21<sup>st</sup>, 2019

Docket Management  
National Highway Traffic Safety Administration  
Room W12-140, West Building, Ground Floor  
1200 New Jersey Avenue, SE.  
Washington, DC 20590

Docket No. NHTSA-2009-0069

**Re: Toyota Supra Parts Marking Locations (49 CFR Part 541)**

Dear Administrator,

Please find enclosed the documentation outlining the target areas for parts marking of the 2020 Toyota Supra in accordance with 49 CFR Part 541.

Should you have any questions pertaining to the information enclosed with this letter, please contact me at (201) 571-5089.

Sincerely,

BMW of NORTH AMERICA, LLC



Matthew Brownridge  
Safety Engineering and Intelligent Transport Systems

**Company**  
BMW of North America, LLC

BMW Group Company

**Office address**

200 Chestnut Ridge Road  
Woodcliff Lake, NJ 07677

**Telephone**  
(201) 571-5089

**Fax**  
(201) 571-5479

**E-mail**  
matthew.brownridge@bmwna.com

**Attachments**  
cc: Docket Management Facility

# **USA**

**VEHICLE THEFT PREVENTION STANDARD  
(49 CFR 541)**

**BMW CARLINE Toyota Supra (J29)**

**TARGET AREAS FOR PARTS MARKING**

**Edition 03/2019**

## BMW CARLINE Toyota Supra (J29)

### MARKED PARTS

A = ORIGINAL EQUIPMENT PARTS MARKING

B = REPLACEMENT PARTS MARKING

#### LOCATION NUMBER

1	Engine
2	Transmission
3	Right front fender
4	Left front fender
5	Hood
6	Right front door
7	Left front door
8	Front bumper
9	Rear bumper
10	Right rear quarter panel (passenger cars)
11	Left rear quarter panel (passenger cars)
12	Deck lid

All dimensions are stated in millimeters and refer to the centerline of the target area.  
Marking of original parts is made by means of labels indicating the VIN.  
Marking of replacement parts is made by means of labels bearing DOT-R.

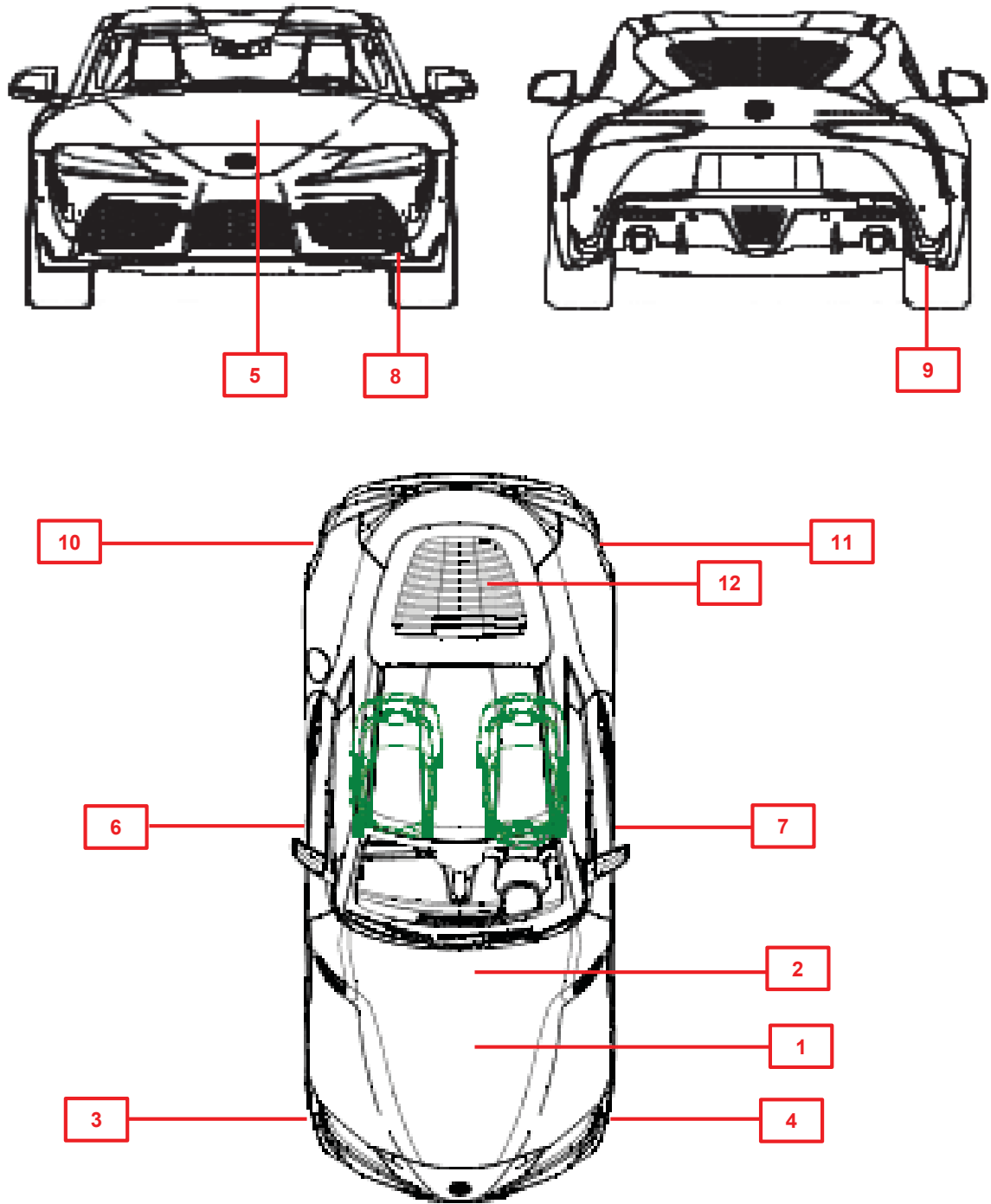
## BMW CARLINE Toyota Supra (J29)

Vehicle exterior view



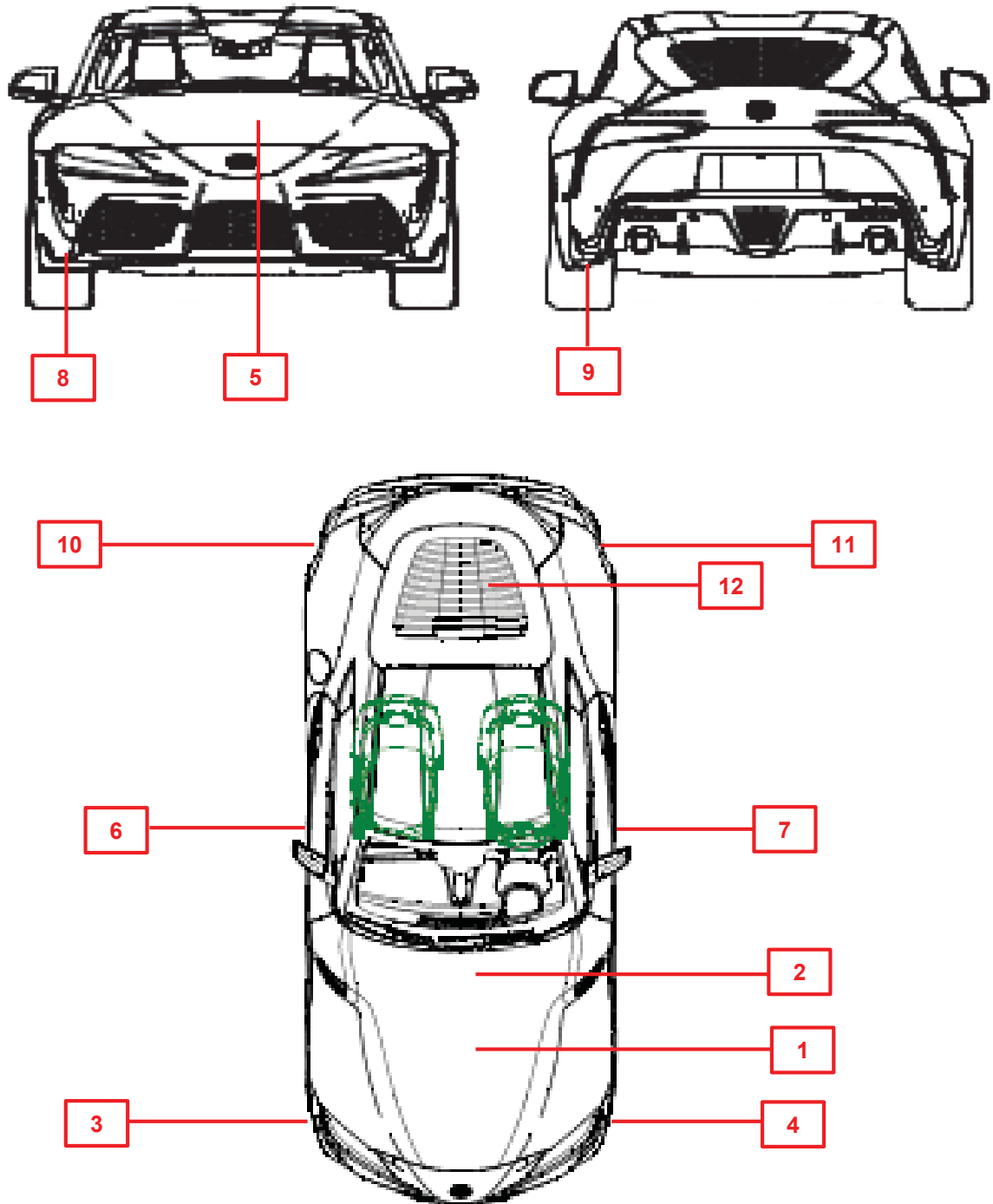
# BMW CARLINE Toyota Supra (J29)

(A) Original Equipment Parts Marking Locations



# BMW CARLINE Toyota Supra (J29)

(B) = Replacement Parts Marking Locations



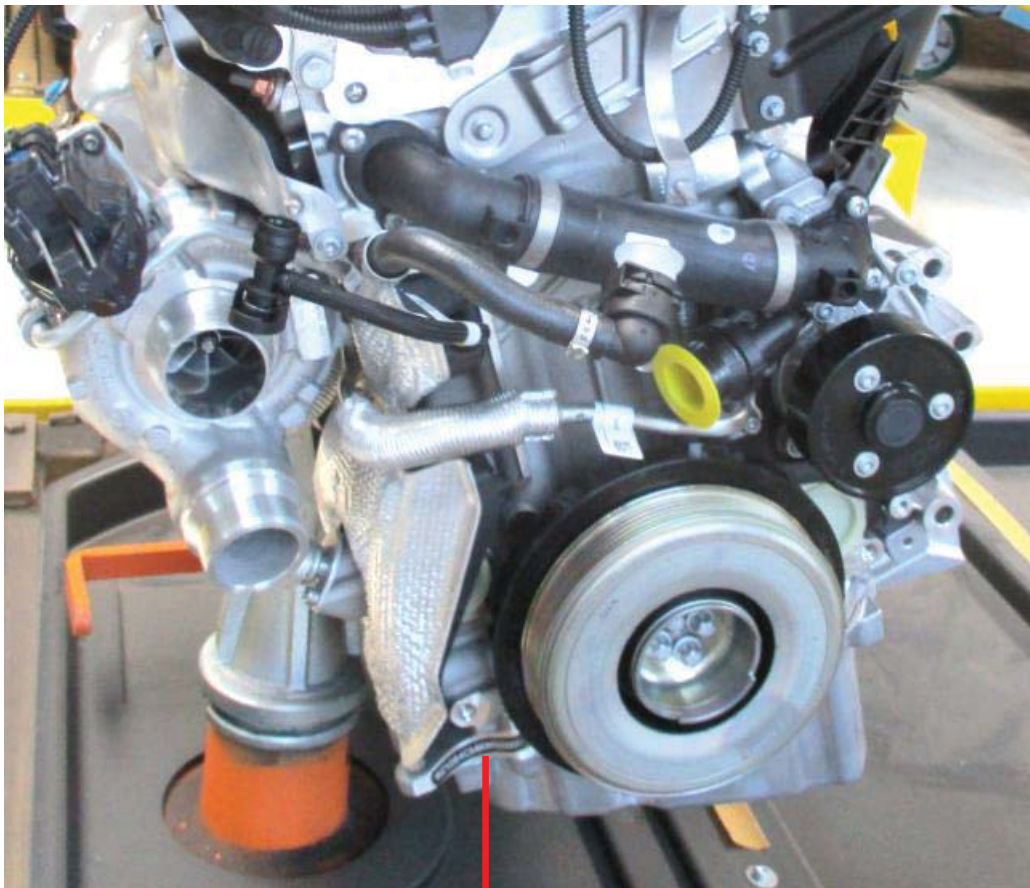
# BMW CARLINE Toyota Supra (J29)

Location 1

4 Cyl.-Engine B48

View from transmission side

Target area 15 x 160 mm



A

# BMW CARLINE Toyota Supra (J29)

Location 1

4 Cyl.-Engine B48

View from transmission side

Target area 30 x 70 mm





# BMW CARLINE Toyota Supra (J29)

Location 1

6 Cyl.-Engine B58

View from right side

Target area 30 x 60 mm



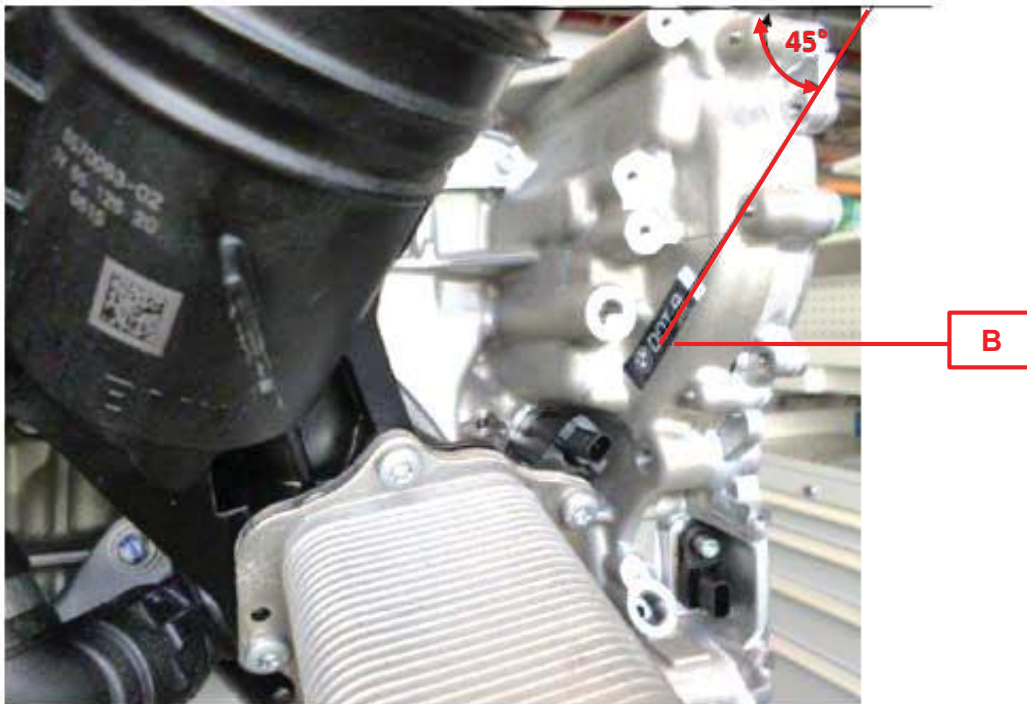
## BMW CARLINE Toyota Supra (J29)

Location 1

6 Cyl.-Engine B58

View from left side

Target area 30 x 70 mm



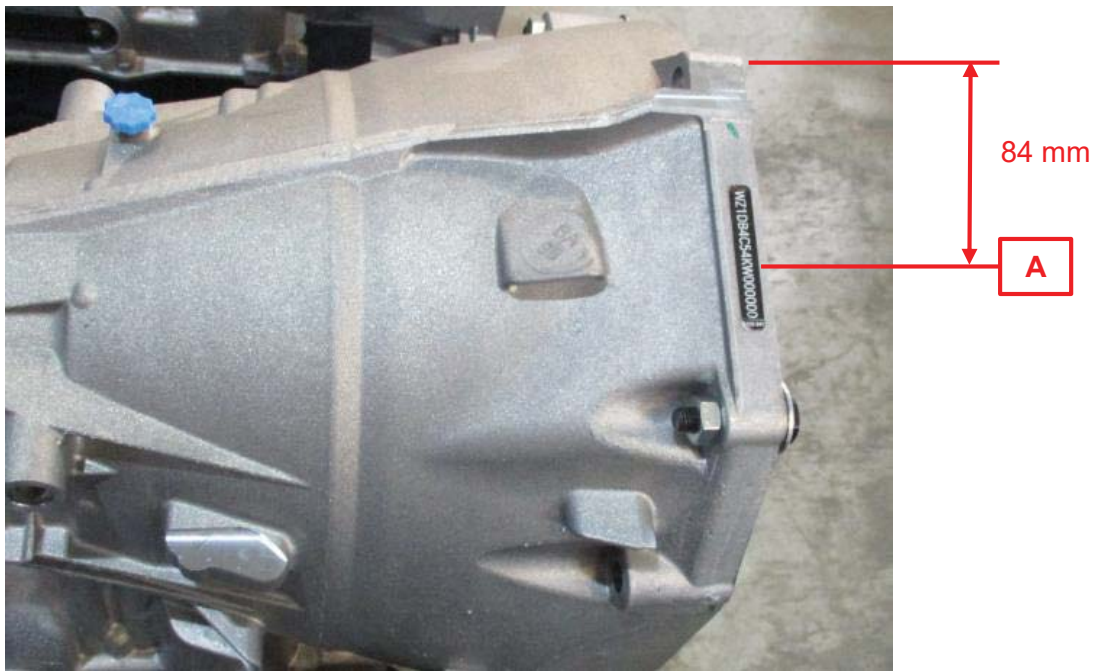
# BMW CARLINE Toyota Supra (J29)

Location 2

Automatic Transmission 8HP51

Top view

Target area 20 x 110 mm



# BMW CARLINE Toyota Supra (J29)

Location 2

Automatic Transmission 8HP51

Left hand side

Target area 60 x 100 mm



124 mm

B

## BMW CARLINE Toyota Supra (J29)

Location 3

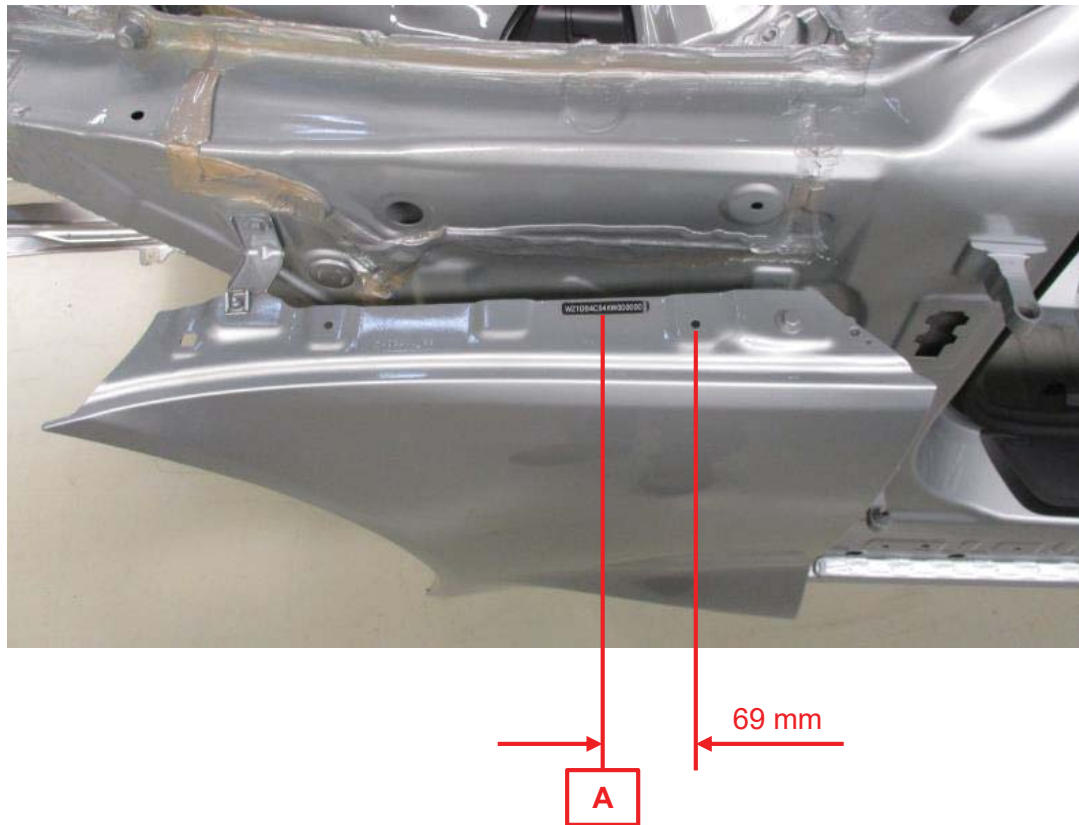
Right front fender (mirrorimage)

Location 4

Left front fender (shown)

A: Target area left side 40 x 90 mm

A: Target area right side 40 x 85 mm





## BMW CARLINE Toyota Supra (J29)

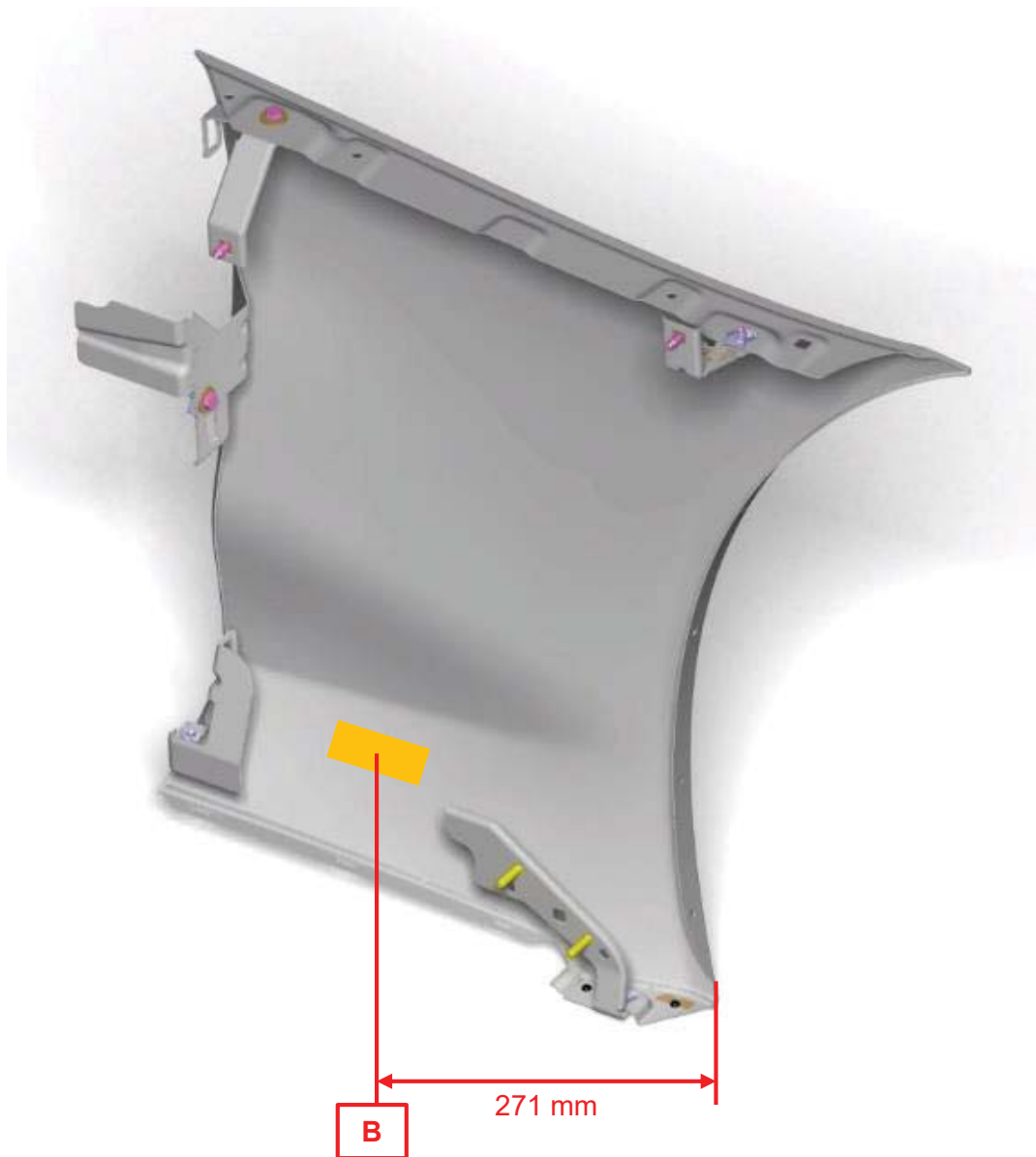
Location 3

Right front fender (mirrorimage)

Location 4

Left front fender (shown)

Target area 60 x 120 mm



# BMW CARLINE Toyota Supra (J29)

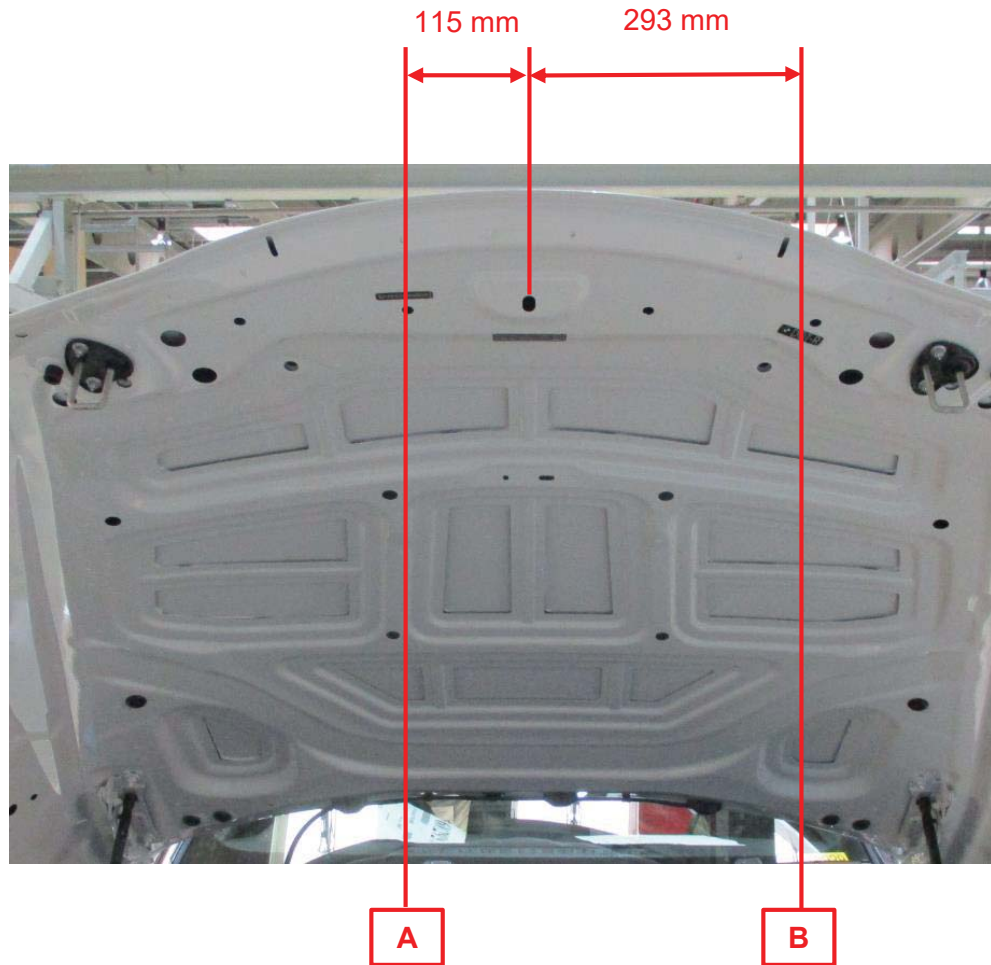
Location 5

Hood

Underside

A: Target area 100 x 120 mm

B: Target area 40 x 120 mm



## BMW CARLINE Toyota Supra (J29)

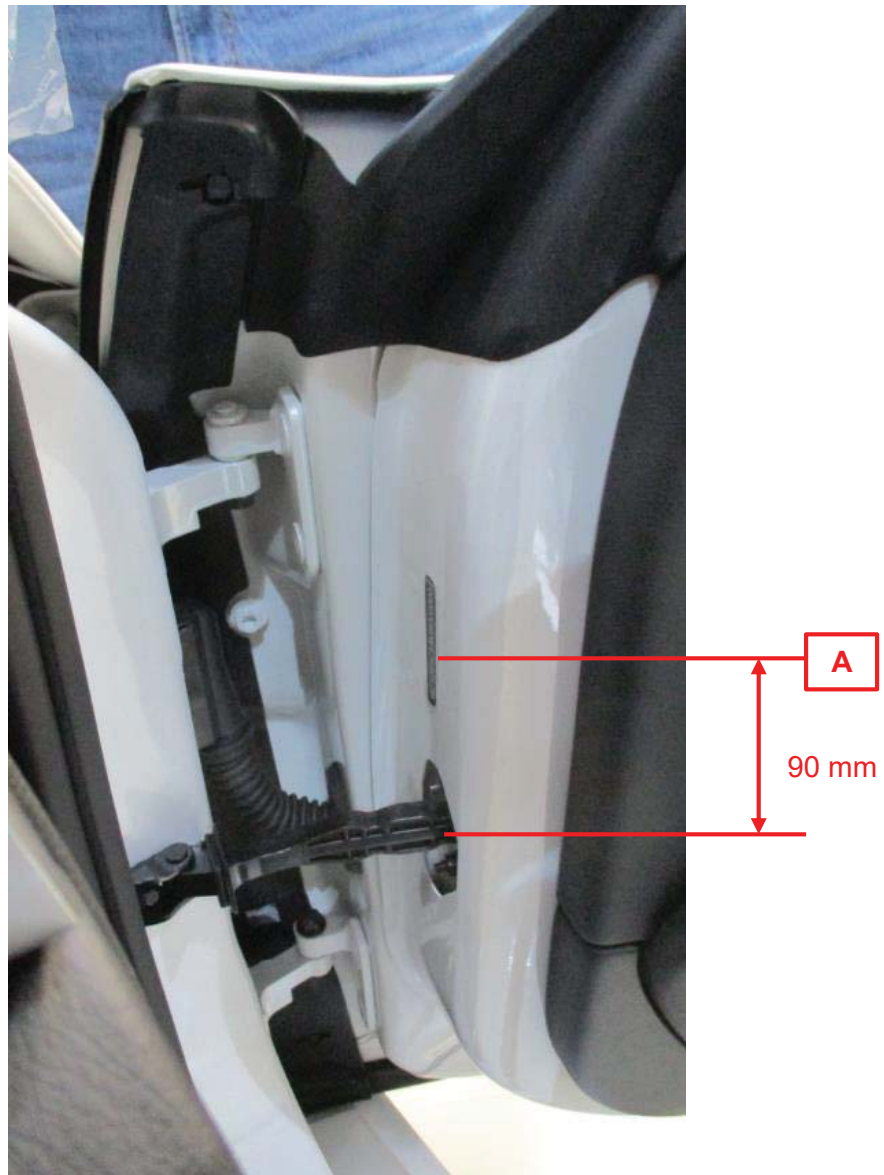
Location 6

Right door (shown)

Location 7

Left door (mirrorimage)

Target area 60 x 130 mm





## BMW CARLINE Toyota Supra (J29)

Location 6

Right door (shown)

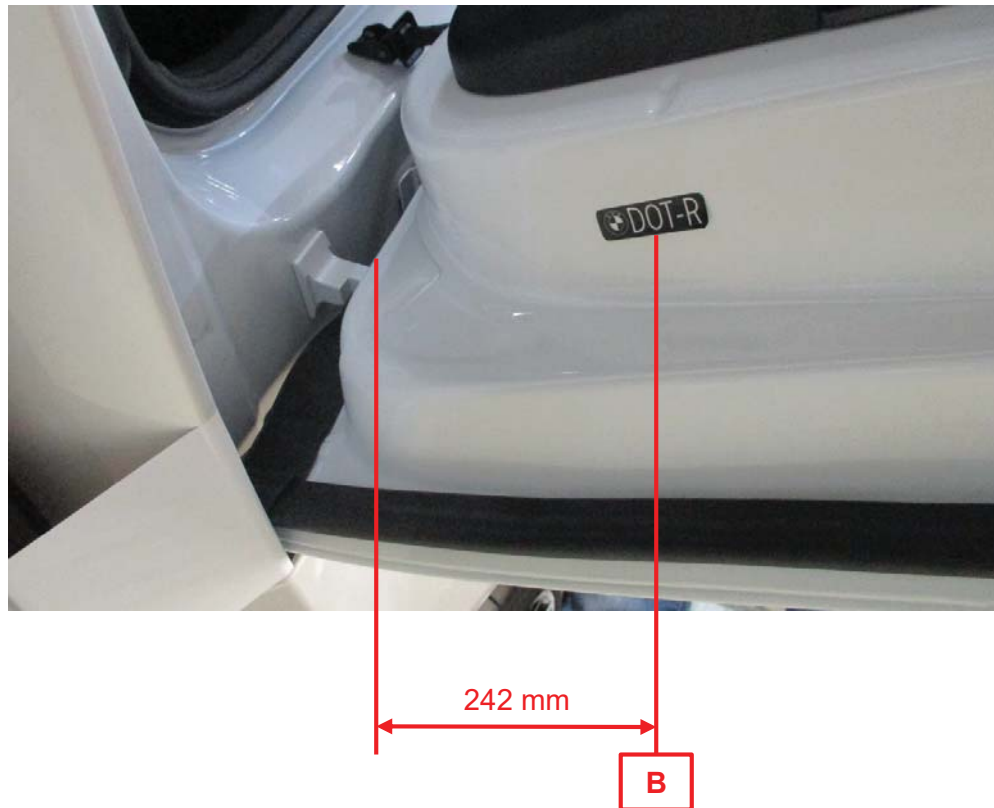
Underside

Location 7

Left door (mirrorimage)

Underside

Target area 60 x 130 mm



# BMW CARLINE Toyota Supra (J29)

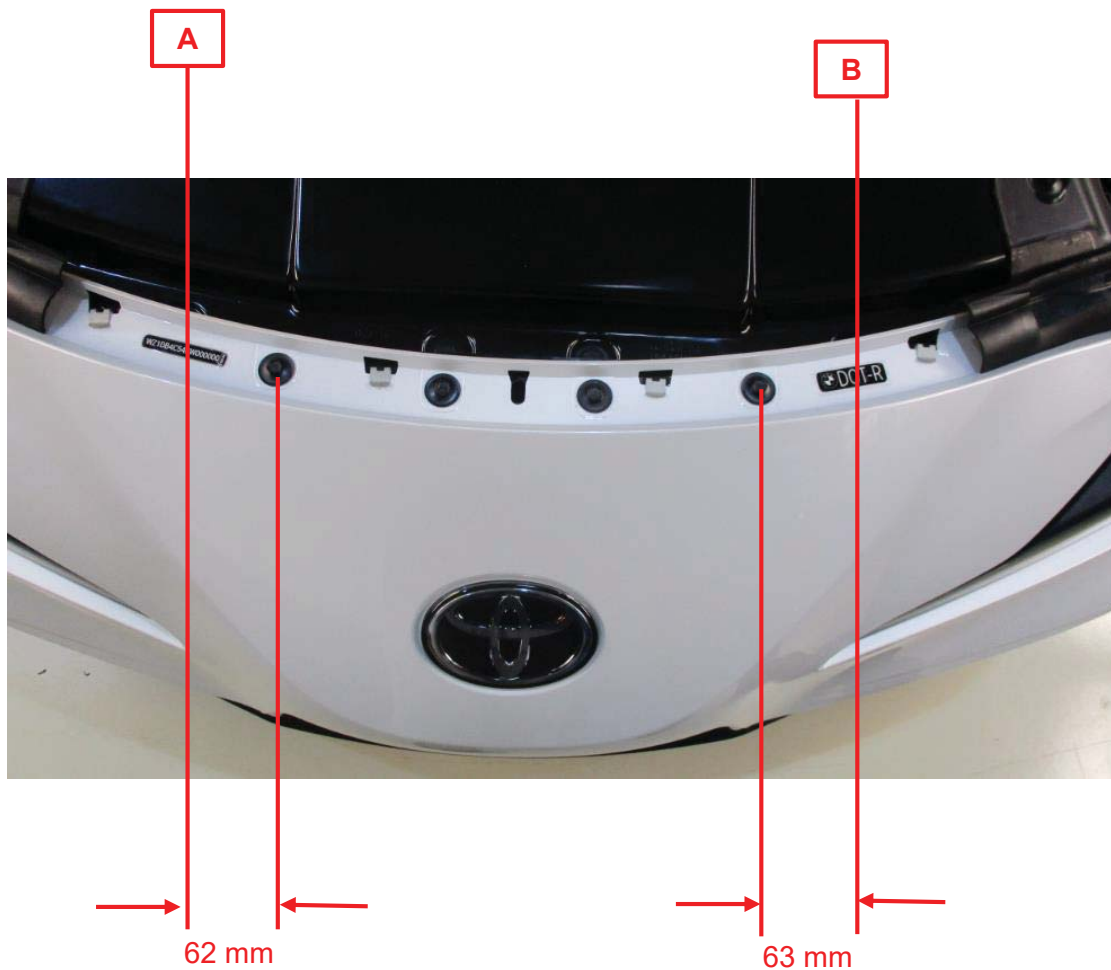
Location 8

Front bumper

Top view

A: Target area 35 x 100 mm

B: Target area 35 x 100 mm



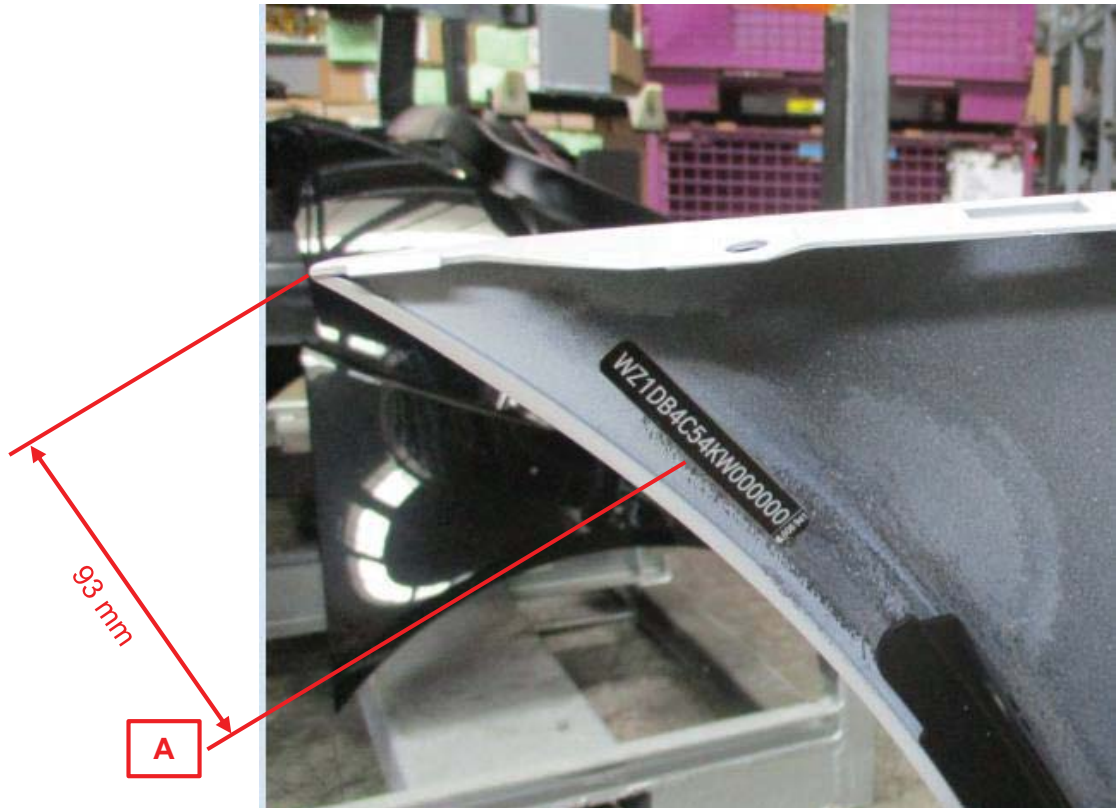
## BMW CARLINE Toyota Supra (J29)

Location 9

Rear bumper

Inner Side

Target area 55 x 140 mm



## BMW CARLINE Toyota Supra (J29)

Location 9

Rear bumper

Inner Side

Target area 40 x 110 mm



# BMW CARLINE Toyota Supra (J29)

Location 10

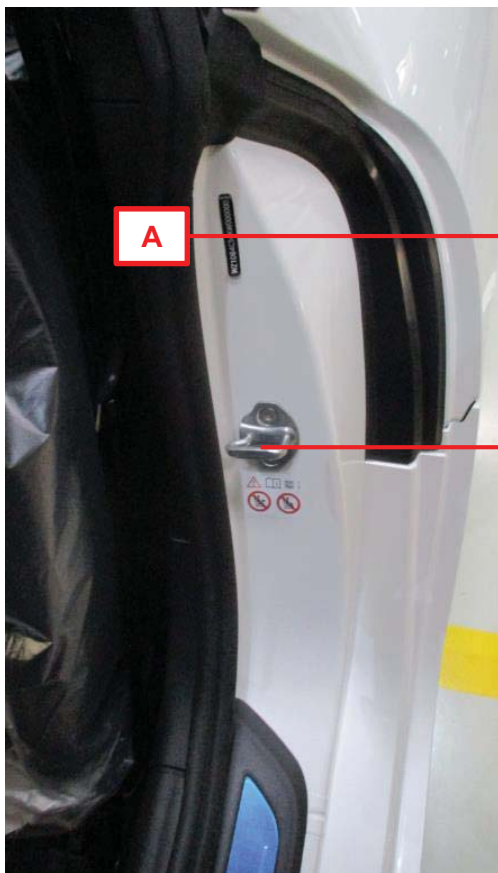
Left rear side panel inner side

A: Target area left side 30 x 70 mm

Location 11

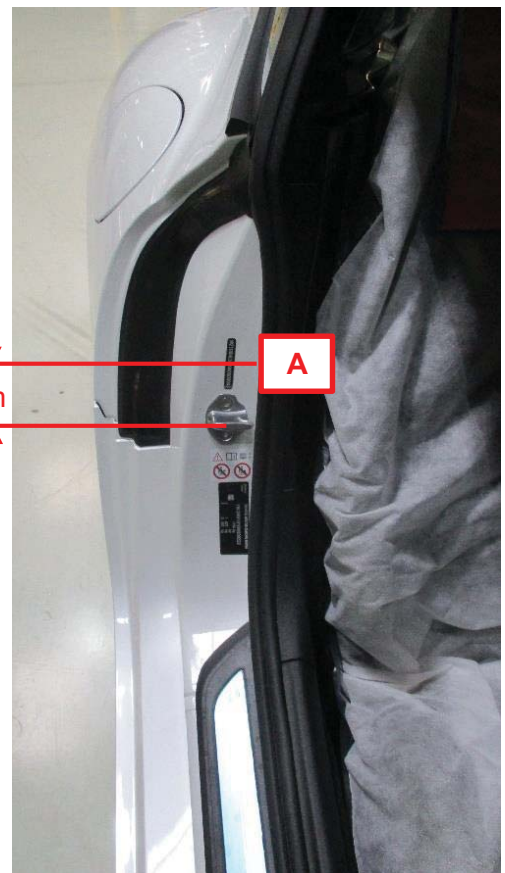
Right rear side panel inner side

A: Target area right side 60 x 80 mm



150 mm

65 mm



# BMW CARLINE Toyota Supra (J29)

Location 10

Left side panel inner side

B: Target area 60 x 100 mm

Location 11

Right side panel inner side  
(mirror image)

B: Target area 60 x 100 mm



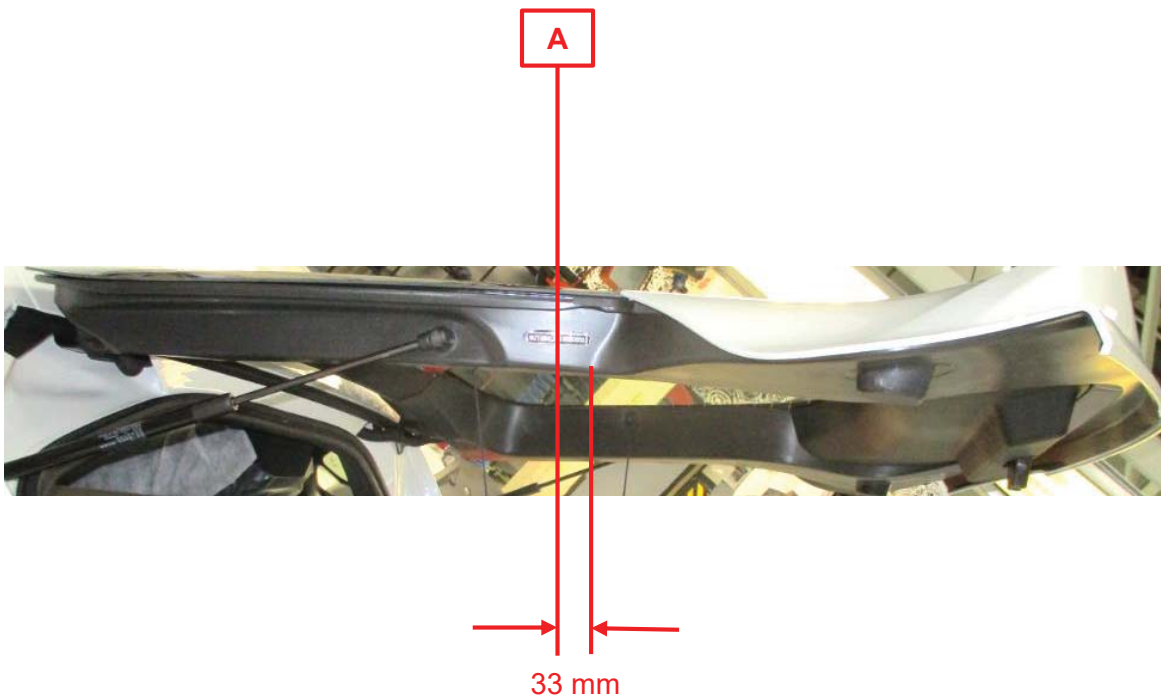
# BMW CARLINE Toyota Supra (J29)

Location 12

Deck lid

Left Side

Target area 55 x 100 mm





# BMW CARLINE Toyota Supra (J29)

Location 12

Deck lid

Right Side

Target area 55 x 100 mm

