

VIN marking area for Palisade model

- 1. Hood**
- 2. Tail gate**
- 3. Front Fender (LH/RH)**
- 4. Front Door (LH/RH)**
- 5. Rear Door (LH/RH)**
- 6. Side Outer Panel (LH/RH)**
- 7. Front Bumper**
- 8. Rear Bumper**
- 9. Engine [3.8L GDI]**
- 10. Transmission [AT]**



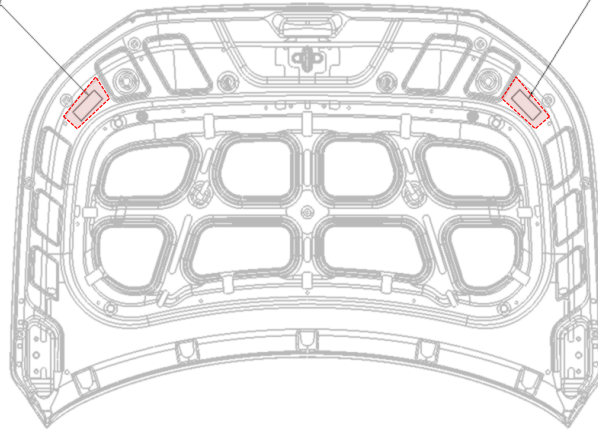
Hood

TARGET AREA FOR
REPLACEMENT PART (RH)

TARGET AREA FOR ORIGINALLY
EQUIPPED PART (LH)

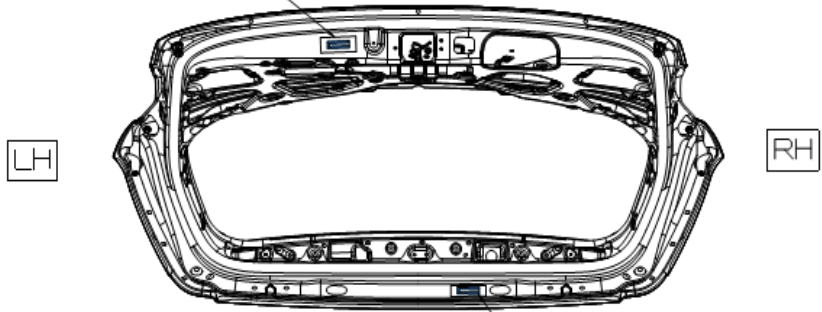
RH

LH



Tail Gate

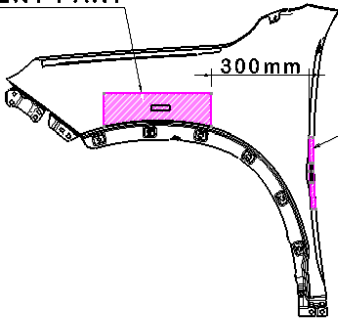
TARGET AREA FOR
REPLACEMENT EQUIPPED PART (LH)



TARGET AREA FOR ORIGINALLY
EQUIPPED PART (RH)

Front Fender LH / RH

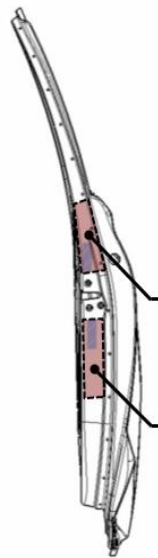
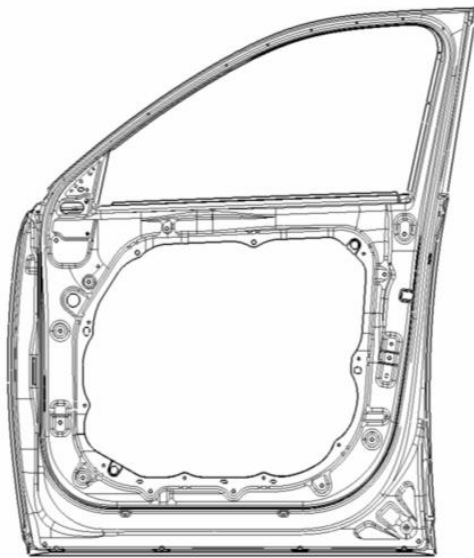
TARGET AREA FOR
REPLACEMENT PART



TARGET AREA FOR
ORIGINALLY EQUIPPED PART



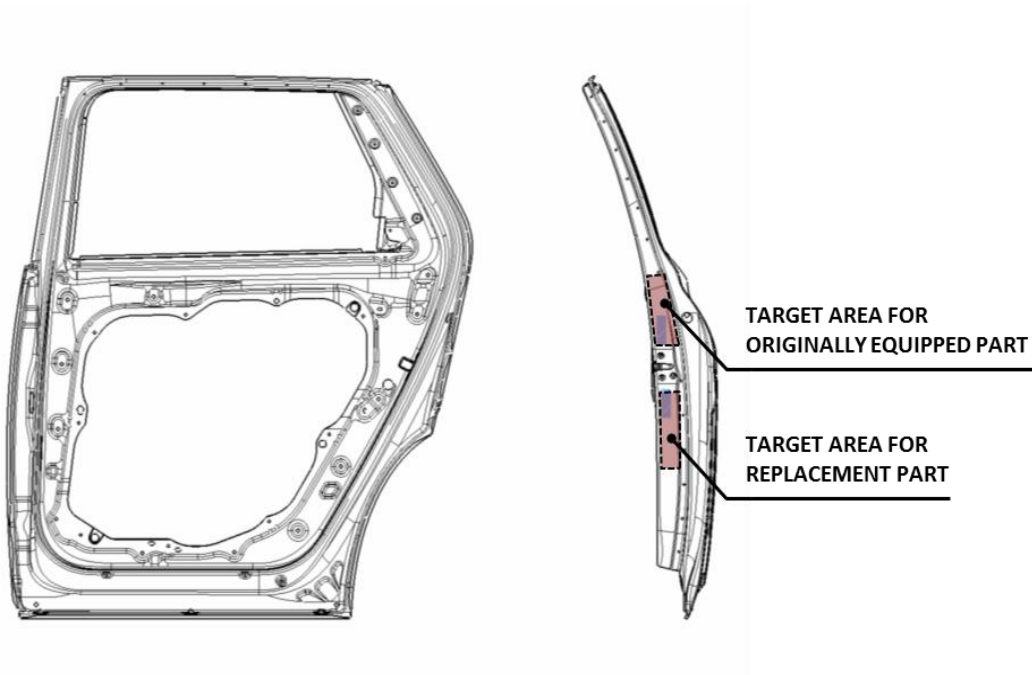
Front Door LH / RH



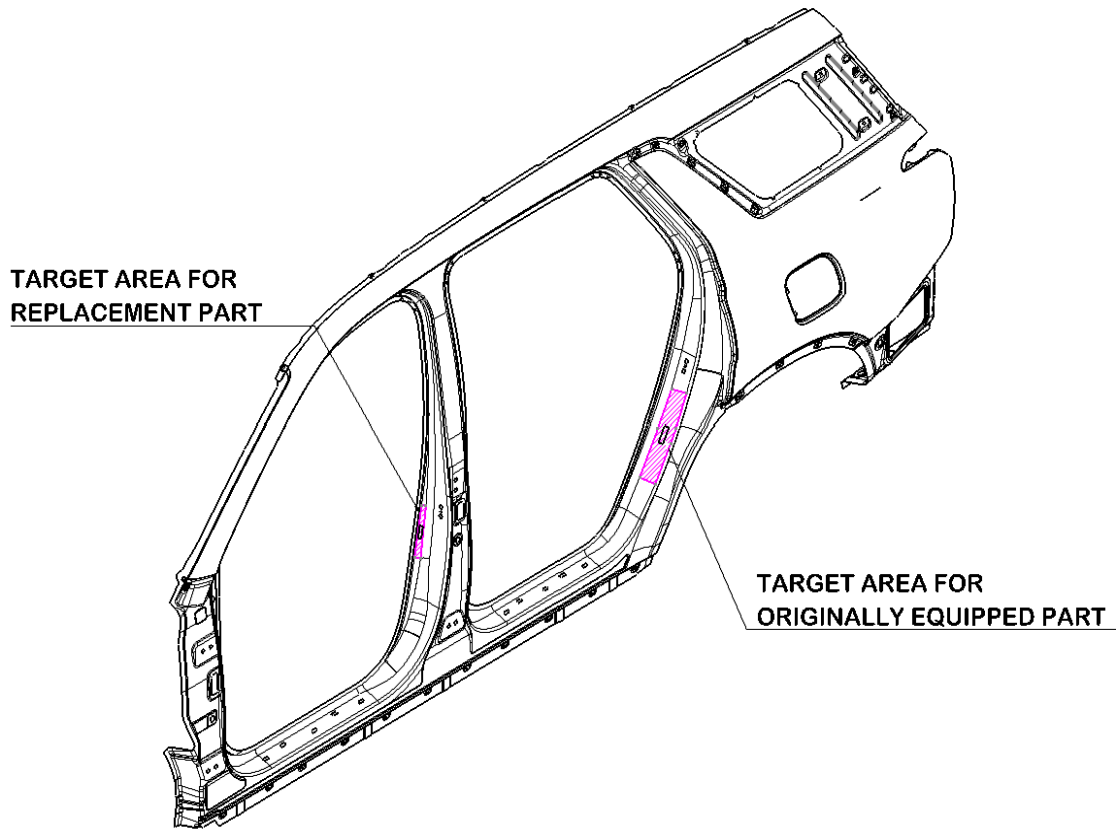
TARGET AREA FOR
ORIGINALLY EQUIPPED PART

TARGET AREA FOR
REPLACEMENT PART

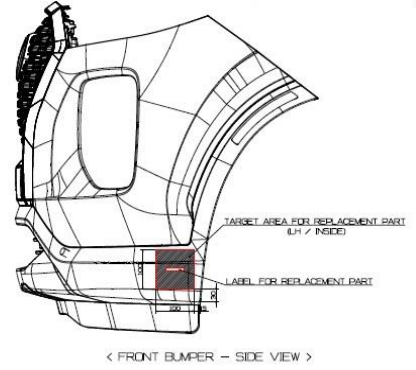
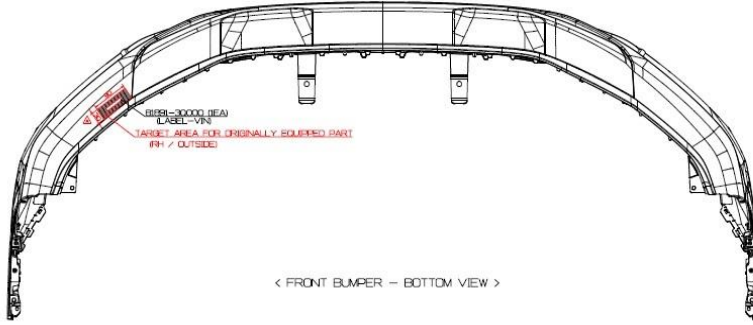
Rear Door LH / RH



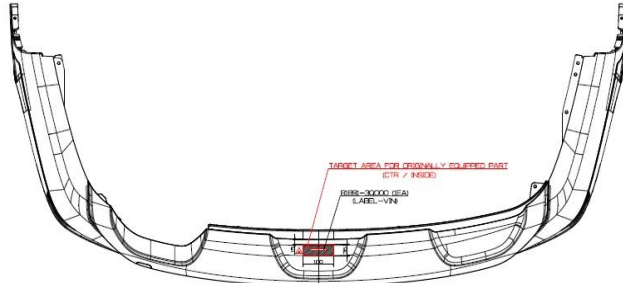
Side Outer Panel LH / RH



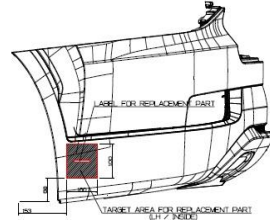
Front Bumper



Rear Bumper

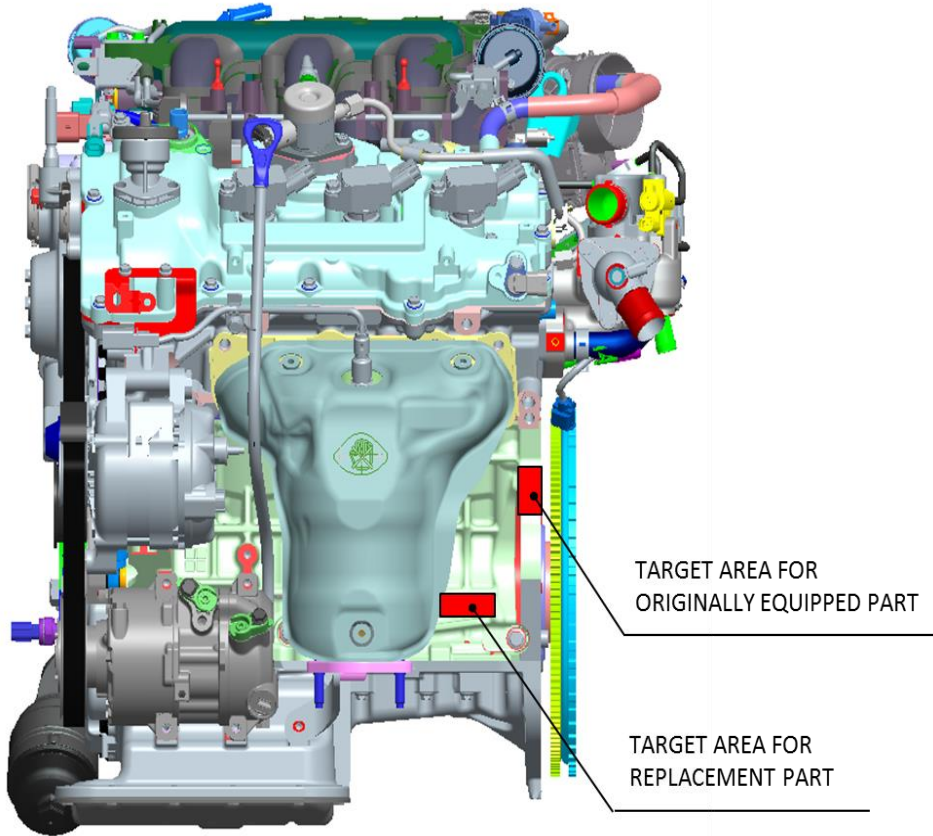


< REAR BUMPER - BOTTOM VIEW >



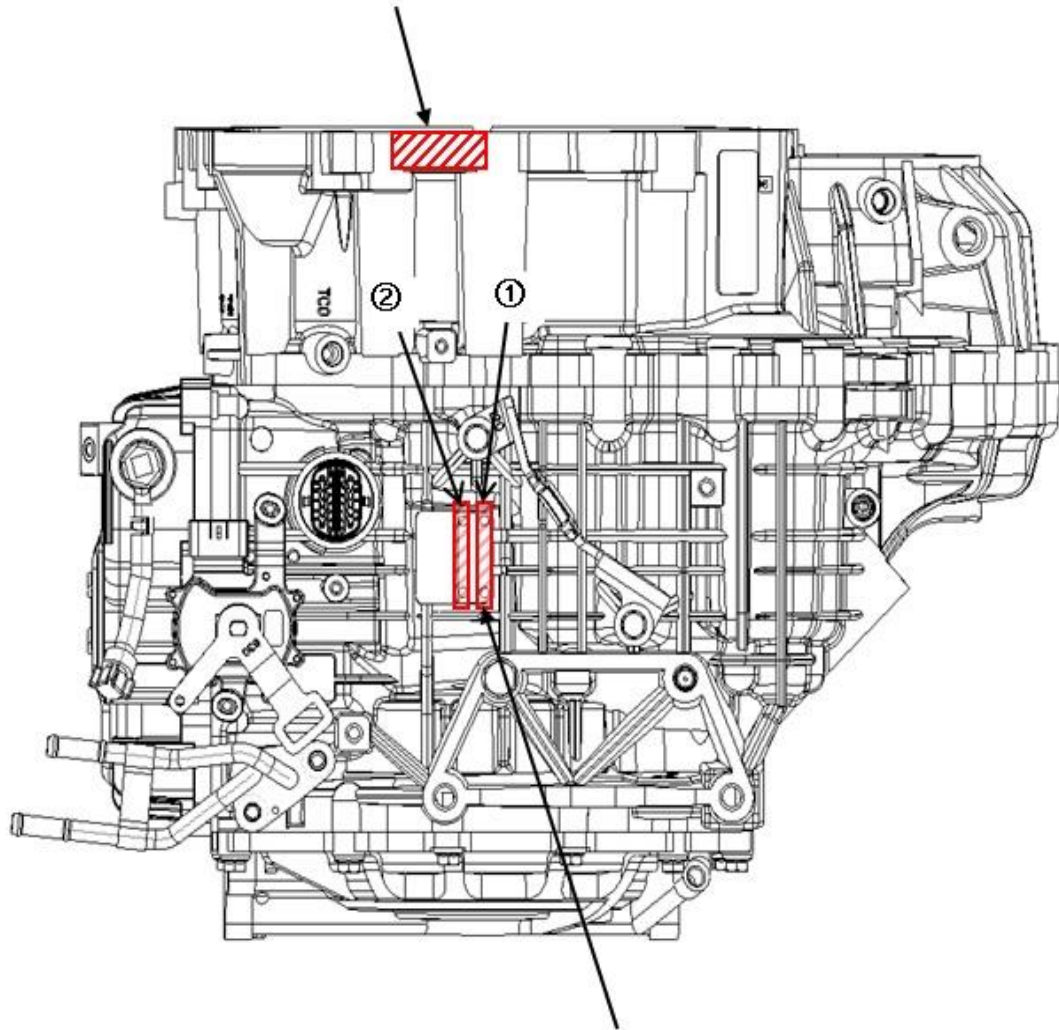
< REAR BUMPER - SIDE VIEW >

Engine - 3.8L



Transmission (8AT)

TARGET AREA FOR
REPLACEMENT PART



TARGET AREA FOR ORIGINALLY EQUIPPED PART
(ATTACH ONE VIN PLATE LOCATION 1 OR 2)