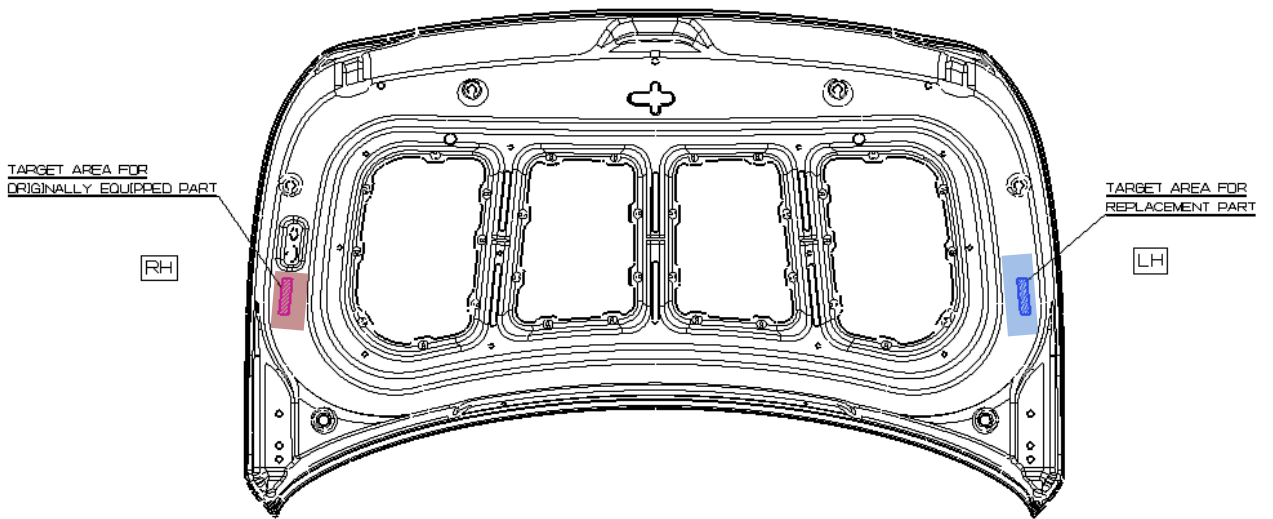


VIN marking area for ACCENT 4DR

1. Hood
2. Trunk Lid
3. Front Fender (LH/RH)
4. Front Door (LH/RH)
5. Rear Door (LH/RH)
6. Side Outer Panel (LH/RH)
7. Front Bumper
8. Rear Bumper
9. Engine
10. Transmission (AT/MT)

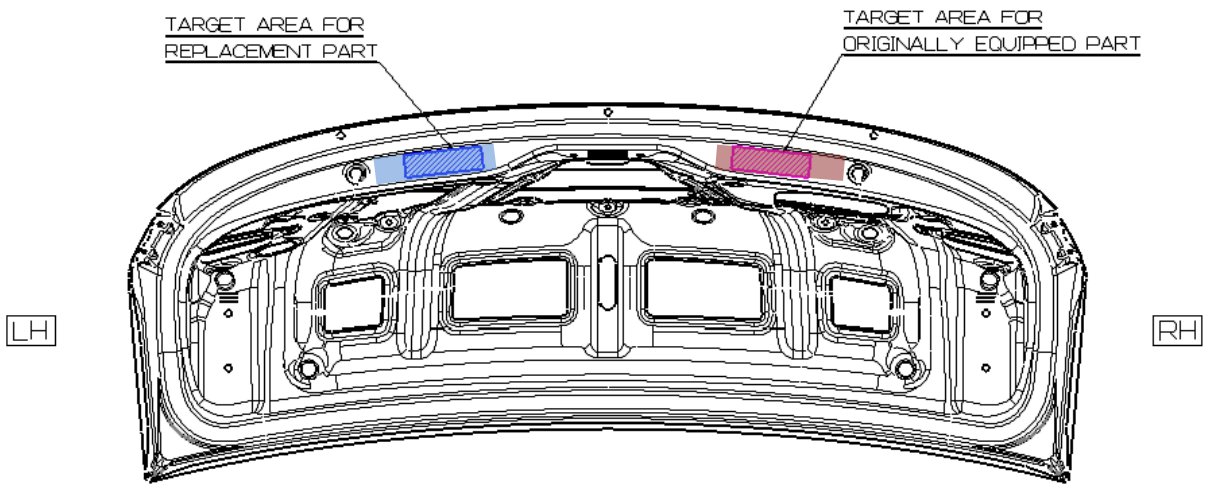


Hood



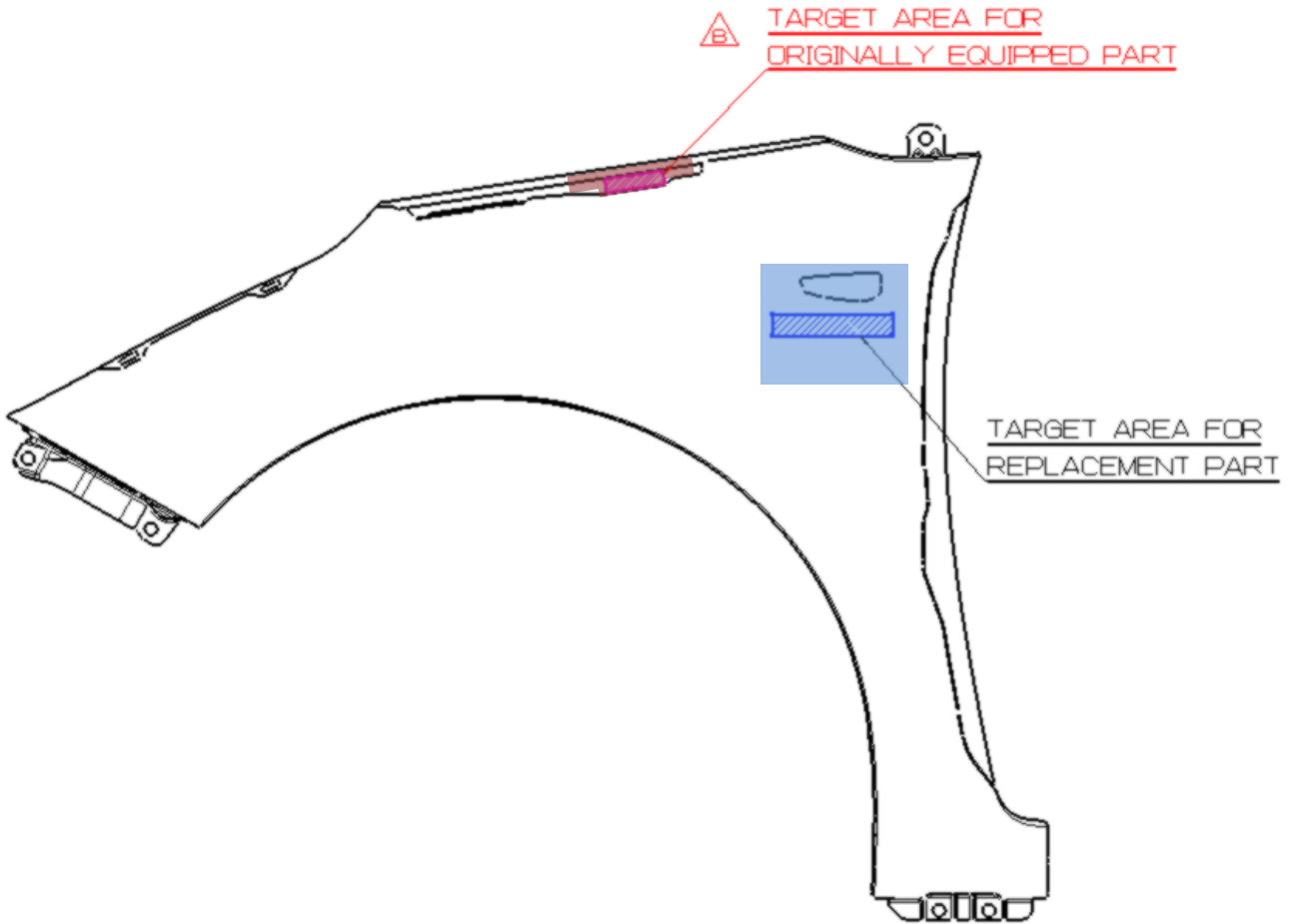
HOOD PNL, VIEW "W"

Trunk Lid



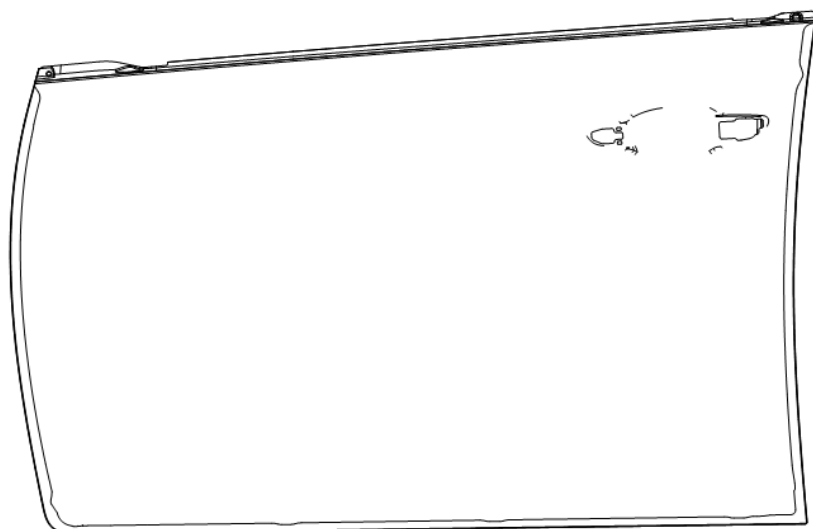
T/LID PNL, VIEW "X"

Front Fender (LH/RH)



FENDER PNL, LH/RH

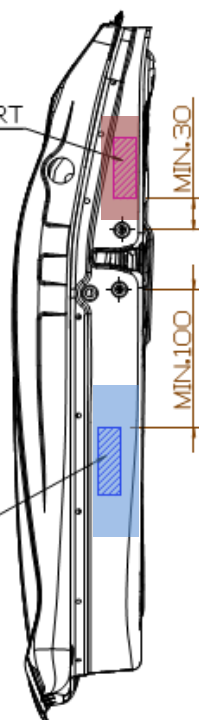
Front Door (LH/RH)



↖ "Y"

FR DR PNL, LH/RH

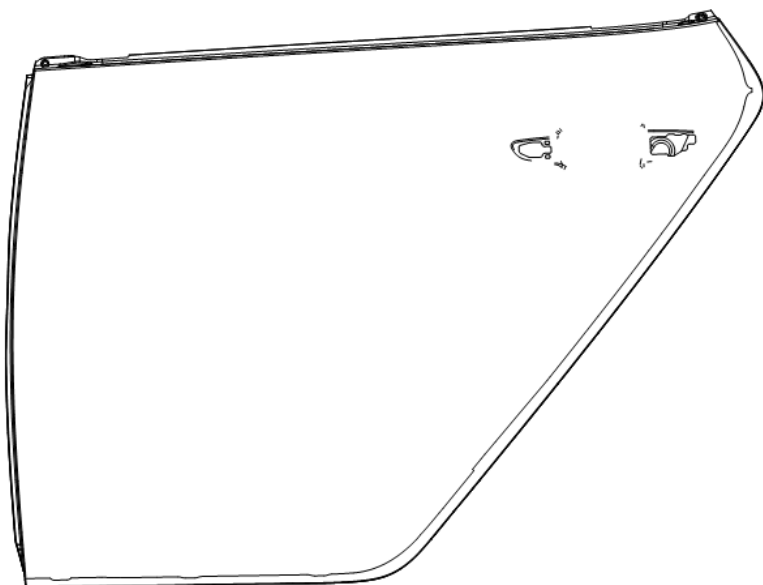
TARGET AREA FOR
ORIGINALLY EQUIPPED PART



TARGET AREA FOR
REPLACEMENT PART

VIEW "Y"

Rear Door (LH/RH)

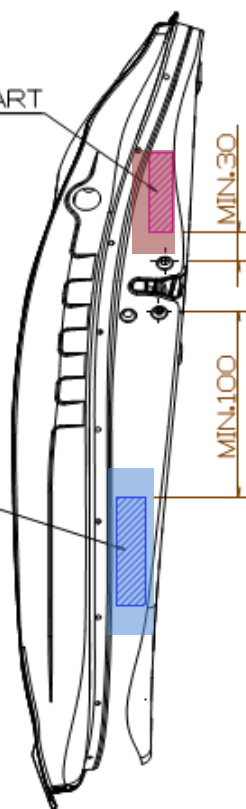


← "Z"

RR DR PNL, LH/RH

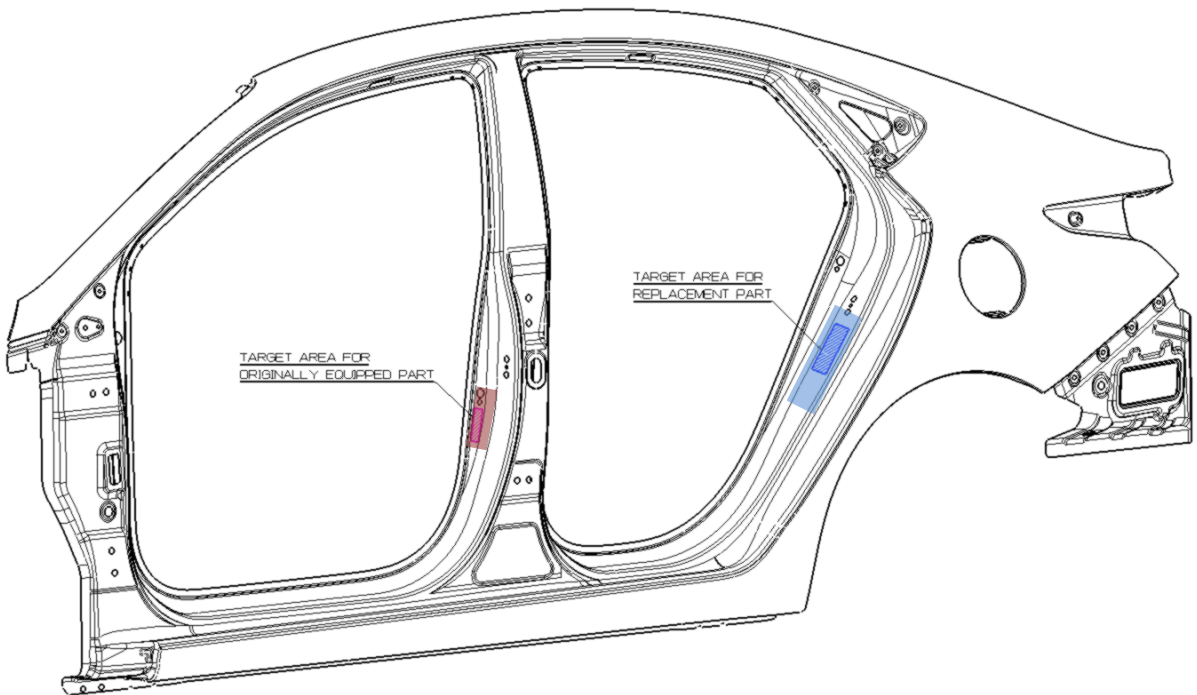
TARGET AREA FOR
ORIGINALLY EQUIPPED PART

TARGET AREA FOR
REPLACEMENT PART



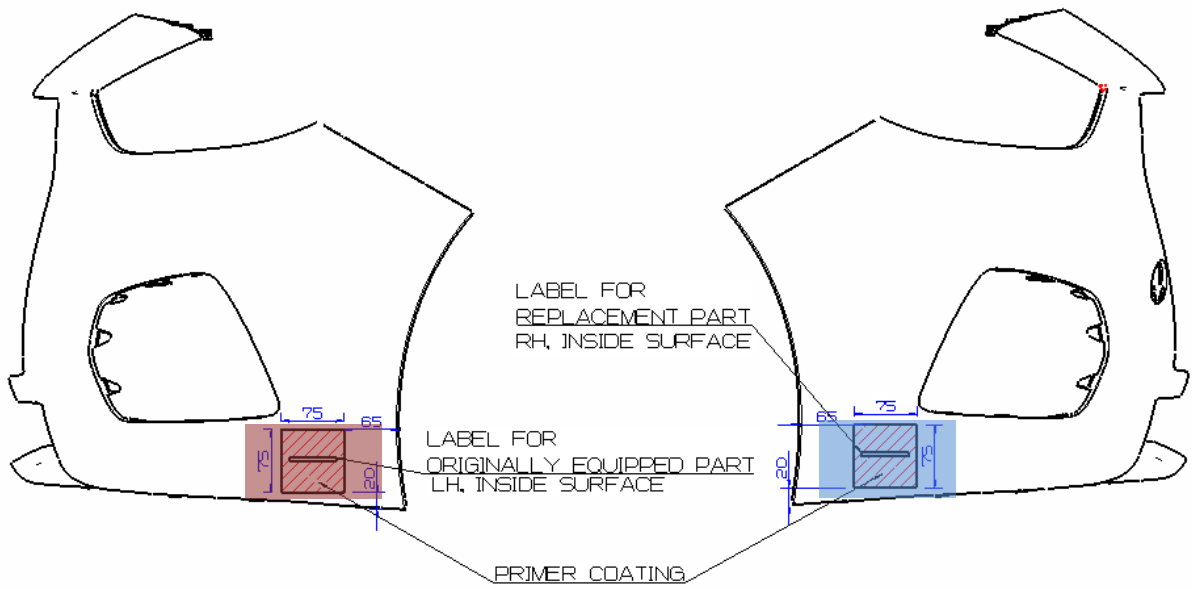
VIEW "Z"

Side Outer Panel (LH/RH)

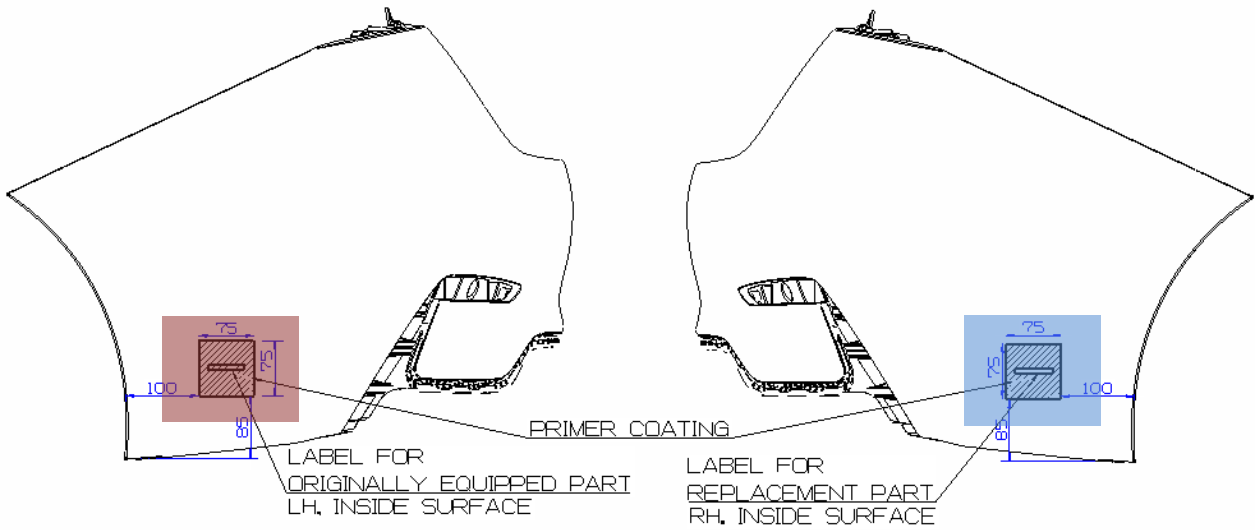


SIDE OTR PNL, LH/RH

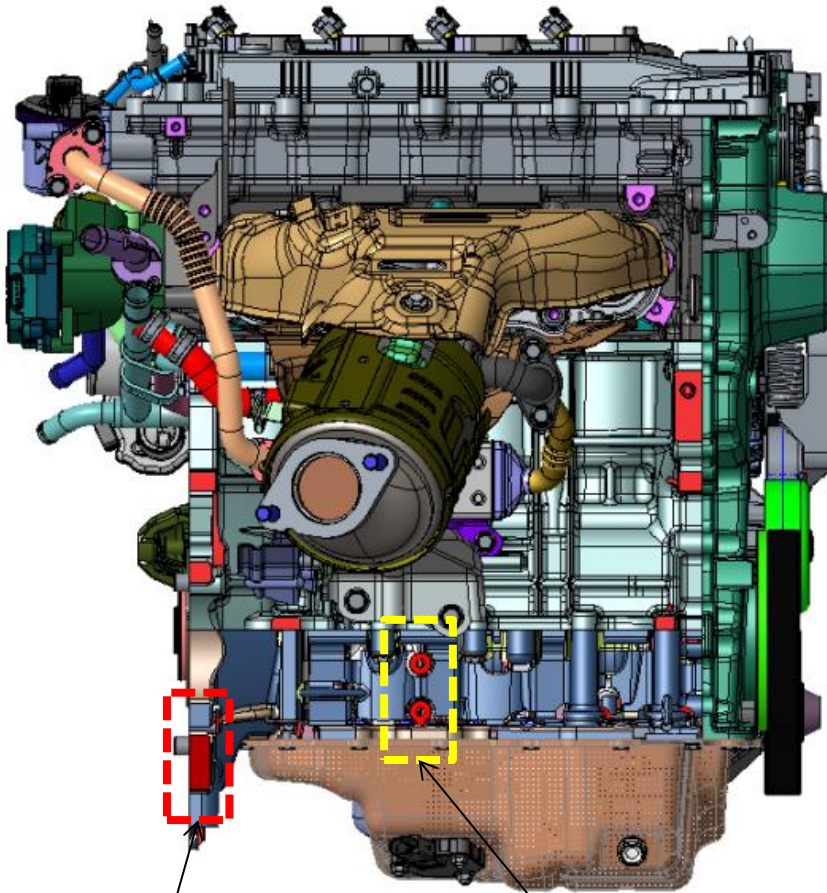
Front Bumper



Rear Bumper



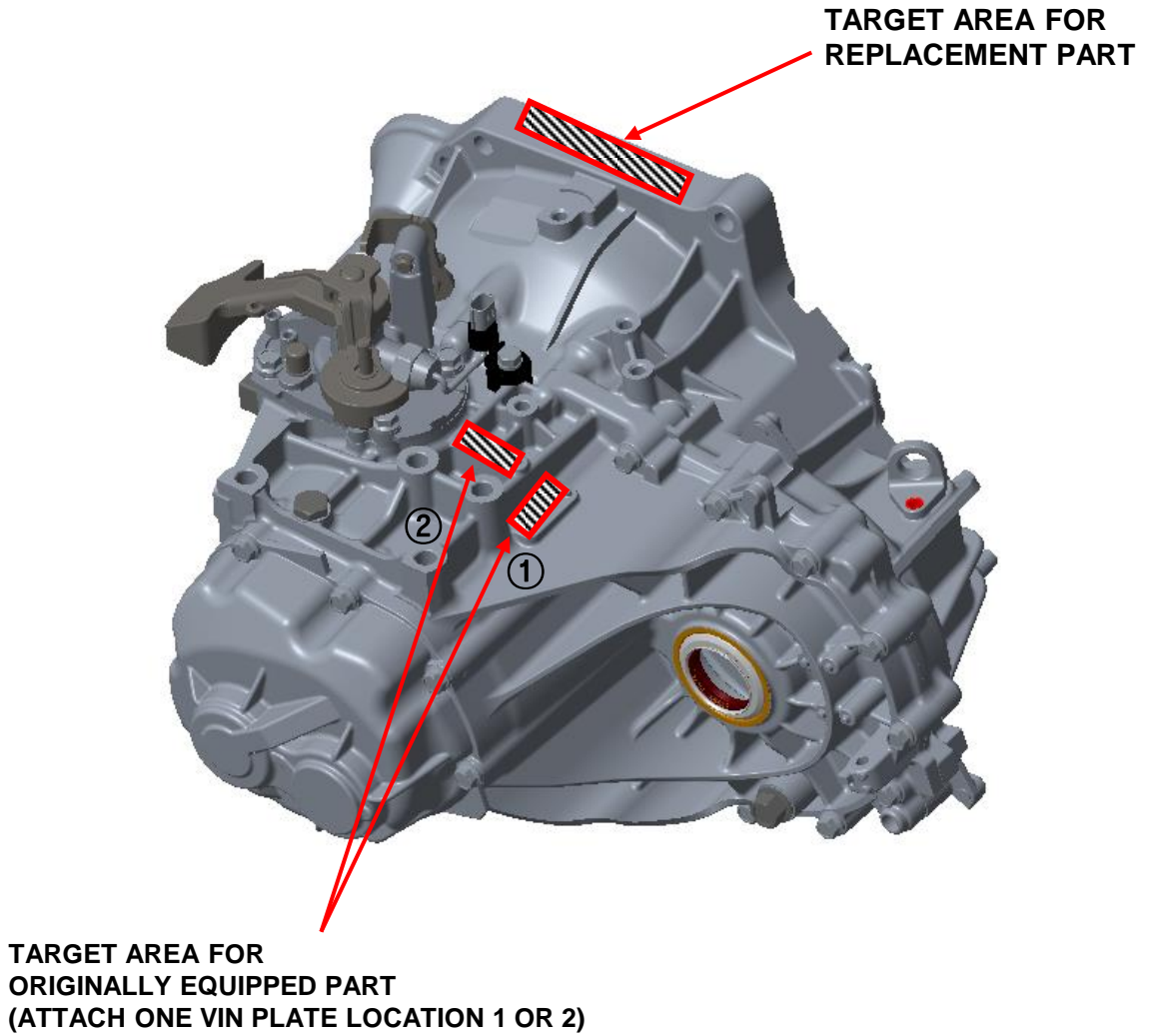
Engine (G II 1.6 MPI)



Target area for
replacement part

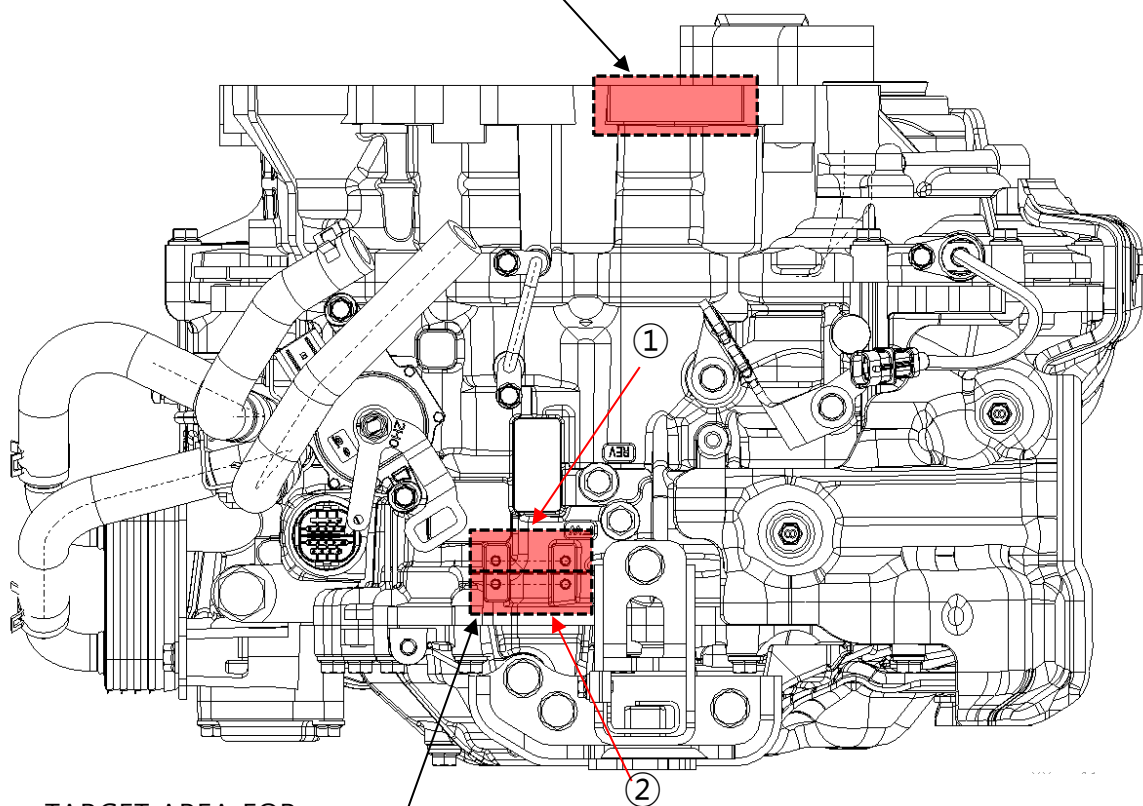
Target area (V.I.N)
for original equipment part

Transmission (Manual for G II 1.6 MPI Engine)



Transmission (CVT for G II 1.6 MPI Engine)

TARGET AREA FOR
REPLACEMENT PART



TARGET AREA FOR
ORIGINALLY EQUIPPED PART
(ATTACH ONE VIN PLATE LOCATION 1 OR 2.)